

PPC-154T

Pentium® 4 Based Panel PC with 15" Color TFT LCD & Optional Touchscreen

NEW



Features

- 15" TFT XGA LCD
- Pentium® 4 CPU up to 3.06 GHz
- System memory up to 2GB DDR SDRAM
- Built-in FDD / CD-ROM drive
- Built-in PCMCIA Type II x 2
- One PCI expansion slot
- 10/100Base-T Ethernet (Gigabit optional)
- 2 IEEE 1394 ports
- Optional 6-in-1 card reader (MS, SD, SM, MC and CF type I/II sockets)
- Resistive touch screen (optional)

Introduction

The PPC-154T is a Pentium® 4 based Panel PC with 15" color TFT LCD (resolution up to 1024 x 768). It features multimedia devices, various connectors, and can be installed in virtually any application. In addition, its user-friendly interface makes it a great host for information appliances.

Specifications

- **CPU** Supports Socket 478 based Pentium® 4 CPU up to 3.06 GHz.
- **Disk Drive Housing** Room for one 2.5" HDD
- **Dimensions (W x H x D)** 420 x 323.3 x 130.5 mm (16.54" x 12.72" x 5.12")
- **Weight** 7 kg (15.4 lbs)
- **Front Panel Protection** IP 65/NEMA 4 compliant (not for SAW model)
- **HDD** IDE HDD interface (2.5" HDD bay)
- **CD-ROM Drive** Compact 24X or above
- **DVD-ROM Drive** Optional 6X or above
- **CD-RW Drive** Optional 8X/4X/24X or above
- **Memory** Supports up to 2 GB DDR SDRAM (184 Pin)
- **FDD** Supports 720 KB / 1.44 MB FDD
- **Network (LAN)** 10/100Base-T Ethernet interface (Gigabit optional)
- **I/O ports**
 - 2 Serial ports: RS-232 x 1, RS-232/422/485 x 1
 - 1 parallel port, 4 USB 2.0 ports
 - PCMCIA Type II x 2
 - 1 PS/2 mouse and keyboard interface
 - Mic-in, Line-in, Line-out, and game port
 - IEEE 1394 ports x 2
 - 6-in-1 card reader: supports Compact Flash, Micro Drive, Smart Media, Secure Digital, Memory Stick & Multimedia Card.
 - S-Video port
- **Bus Expansion** One PCI expansion slot, one Mini PCI card

Environmental Specifications

- **Operating Temperature** 0 ~ 45° C (32 ~ 113° F)
- **Relative Humidity** 10 ~ 95% @ 40° C, non-condensing
- **Shock** 10 G peak acceleration (11 msec. duration)
- **EMC** BSMI, VCCI, CE, FCC Class B
- **Safety** CB, CE, UL

Power Supply

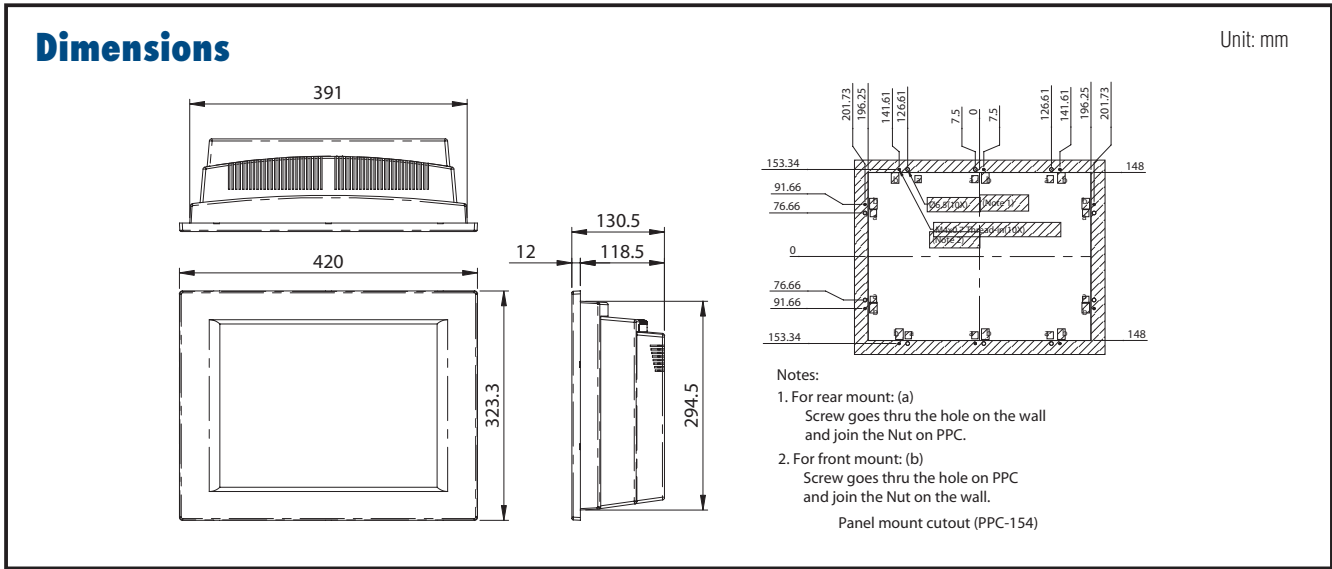
- **Output Rating** 180 W (max.)
- **Input Voltage** 100~240 V_{AC} @ 50~60Hz
- **Output Voltage** +3.3V @16.8A, +5V@12A, +12V@10A, -12V@0.8A,+5VSB@2A

LCD Display

- **Display Type** Color TFT LCD
- **Size (Diagonal)** 15"
- **Max. Resolution** 1024 x 768
- **Max. Colors or Grayscales** 256 K or 16 M
- **Pixel Pitch (mm)** 0.297 x 0.297
- **Luminance (cd/m²)** 250
- **Viewing Angle** 120°
- **Temperature** 0 ~ 50° C
- **VR Controls** Brightness
- **Simultaneous Mode** Yes
- **LCD MTBF** 50,000 hrs.
- **Backlight MTBF** 25,000 hrs.

Touchscreen (Optional)

- | Types | Analog Resistive | Capacitive | Surface Acoustic Wave |
|--|-------------------------------|---------------|-----------------------|
| ▪ Resolution | Continuous | 1024 x 1024 | 4096 x 4096 |
| ▪ Light Transmission | 75% | 85% | 91% |
| ▪ Controller | USB Interface | USB Interface | USB Interface |
| ▪ Power Consumption | +5 V @ 200 mA | +5 V @ 100 mA | +5 V @ 150 mA |
| ▪ Software Driver | Supports both DOS and Windows | | |
| ▪ Durability (Touches lifetime) | 30 million | 20 million | 50 million |

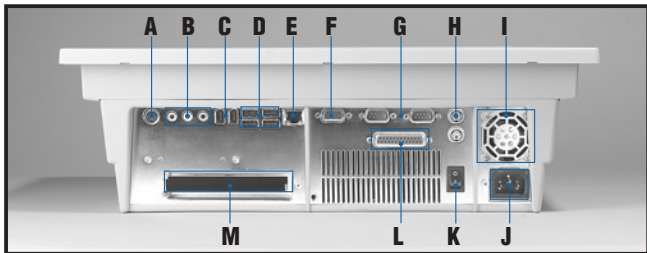


Ordering Information

- **PPC-154T** **(Bare BOM: PPC-154T-BARE)**
Panel PC with 15" color TFT LCD display (resolution 1024 x 768)
- **PPC-154T-RT** **(Bare BOM: PPC-154T-BARE-T)**
PPC-154T with resistive touch screen
- **PPC-154T-CT** **(Bare BOM: PPC-154T-BARE-C)**
PPC-154T with capacitive touchscreen
- **PPC-154T-ST** **(Bare BOM: PPC-154T-BARE-S)**
PPC-154T with SAW touchscreen
- **PPC-120 STAND**
Stand kit for PPC-154/153/150 and PPC-123/120 series
- **PPC-150 SWINARM**
Swing arm kit for PPC-154/153/150 series
- **PPC-120 WL-MT**
Wall mount kit for PPC-154/153/150 and PPC-123/120 series
- **PPC-ARM-A01**
VESA standard ARM for PPC-123/153/154 series

* Intel® Pentium® 4 CPU, DDR SDRAM and 2.5" HDD are available as optional items.

Fully Integrated I/O



- | | |
|---|--------------------------|
| A. S-Video | H. Mouse/KB & PS/2 ports |
| B. Line-in/Line-out/Mic-in | I. ATX Power Supply |
| C. IEEE 1394 x 2 | J. AC inlet |
| D. USB 2.0 x 4 | K. Power Switch |
| E. 10/100Base-T Ethernet (Gigabit Optional) | L. Parallel port |
| F. VGA port | M. PCI slot |
| G. Com port x 2 | |

Feature Details

Protection

To meet the requirements of a public environment, the front panel of PPC-154T complies with the IP 65/NEMA 4 protection standard. Furthermore, the watchdog timer and power management features make the system secure and stable. The onboard hardware monitoring feature provides automatic protection function, which prevents the CPU from becoming overheated.

Networking

Two serial ports and a 10/100Base-T Ethernet port (Gigabit optional) gives the PPC-154T advanced networking capabilities, and provide a great solution for versatile applications.

Expansion

To extend functionality, the PPC-154T is designed with one expansion slot for PCI cards, four USB 2.0 (Universal Serial Bus) ports, one S-Video port, a 6-in-1 cardreader interface and one PCMCIA card bus (Type II x 2). With these expansion capabilities, the PPC-154T not only functions as a HMI, but also as a computing center to build your applications on.

Easy Maintenance

Maintaining and replacing the LCD and touchscreen are made easier through the PPC-154T's modular design. In order to replace a defective LCD or touchscreen, one merely needs to remove the front cover and LCD bracket instead of disassembling the whole system.

Touchscreen Options

Customers can choose from three optional types of standardized touchscreens: resistive, capacitive and SAW (Surface Acoustic Wave). These options make the PPC-154T a more user-friendly interface for different environments.