

## OEM 바코드 스캔 엔진

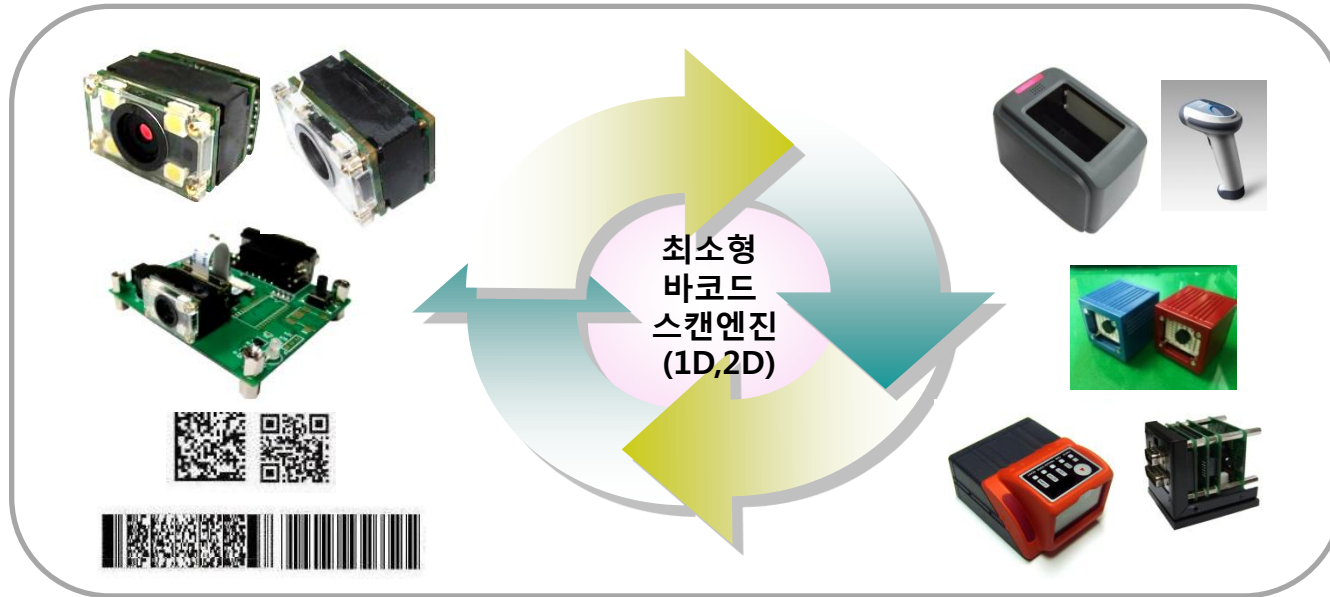


**iCom** 아이콤정보시스템  
IComis [www.barcodemart.com](http://www.barcodemart.com)

서울시 구로구 구로동 212-1 에이스트원타워1차 603  
TEL: (02)861-1175 FAX:(02)861-1176

## OEM 바코드 스캔 엔진 ( CSE-6000, CSE-6000 SDK )

PDA, 모바일, ATM, 키오스크, 의료기기, POS 등 탑재 : 최소형 바코드 스캔 엔진



Model Name	Engine	FPC Cable	SDK	RS232C Cable	Power Supply
CSE-6000	●	●			
CSE-6000-SDK	●	●	●	●	●

## 2D Barcode Miniature Scan Engine (CSE-6000)

- CSE-6000 is new small 2D barcode engine for OEM systems & hardwares. This miniature engine enables customers to fast and reliably integrate 2D barcode decoding solutions into target systems & and hardwares. This engine can also to be provided in software to customers with the same Features and benefits of handheld scanner products.



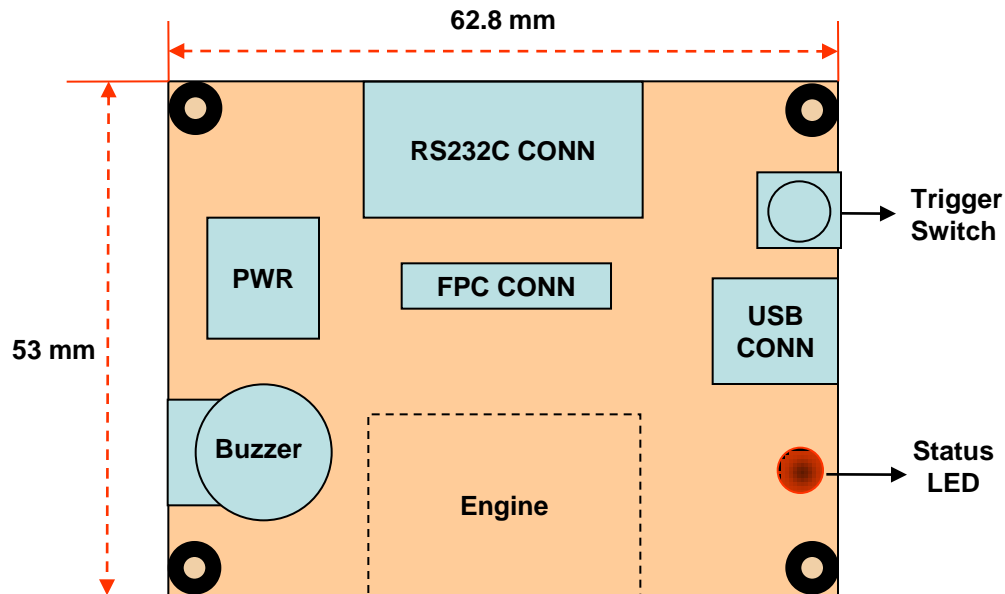
- ◆ World-wide smallest Miniature style. [20mm(W)\*12.5mm(H)\*17.5(D)]
- ◆ All-in-One Model. (Light LED + Image Sensor Module + Decoding Module)
- ◆ Wide Viewing Angle. (Wide  $\pm 53^\circ$ , Standard  $\pm 40^\circ$ )
- ◆ Red / Green / Blue or White LED Lighting Architecture for various target material.
- ◆ Smart Laser Aiming.
- ◆ Real-time Image Uploading. (within JPEG Engine)
- ◆ Quack and easy integration into target system and hardware.
- ◆ Flexible OEM customization.
- ◆ Lightweight optical module for reading symbols in most demanding environments.
- ◆ Fast decoding of 1D/2D symbols.
- ◆ Omni-directional reading.
- ◆ Full support to 2 byte characters with Chinese QR.
- ◆ Easy firmware upgrade.
- ◆ Low power consumption for PDA application or Wireless solutions.
- ◆ Competitive price.
- ◆ SDK(CSE-6000SDK) for test and evaluation.
- ◆ Technical Support for PDA application or other target machine.

# CSE-6000™ Specification Sheet

Performance Characteristics	
Image Sensor	CMOS Sensor, max. 720H*480V, 8-bits Gray Scale.
Frame Rate	1/60 fps
Shutter Speed	1/30 sec ~ 1/10,000 sec
Viewing Angle	High density version: ±53° Standard density version: ±40°
Ambient Lighting	Total darkness to full sunlight
Reverse, Flip Image	Auto-detection
Directions	360 ° Omni-directional
Interface	
Host Interface	RS232C-TTL interface
Control Signal	Trigger switch
Aiming	Smart laser aiming. 650nm±10nm
Indicator	Two Status LED output, Buzzer output
Symbologies	
1 Dimensional	UPC-A/E, EAN-8/13, Code39, Tri-Optic, Coda bar/ABC/CX, Straight 2 of 5 Industrial, Interleaved 2 of 5, Matrix 2 of 5, IATA, Chinese Post, Korean Post, MSI/Plessey, Code-93, Code128, GS1-128, Code11, GS1 DataBar
2 Dimensional	QR (with Chinese QR), Data Matrix, PDF417, microPDF417, Aztec, Maxi Code
Mechanical & Electrical	
Dimension	Height (12.4 mm), Width (20 mm), Depth (17.5 mm)
Weight	8g with cable
Cable Length	45 mm, FPC cable
Power Consumption	+3.3V±10% , Typical 200mA, Peak 300mA, Standby 130mA
Environments & Regulatory	
Operating Temperature	-10° C to +50° C (-14° F to 122° F)
Operating Storage	-20° C to +60° C ( -4° F to 140° F)
Humidity	0 to 95%
Certification	FCC Class A & CE, ROHS
Others	
Setup	Auto-configuration or using CSCenter™, Barcode, Command
Application Interface	Use CSCenter™
Hardware Control	Auto-detection, USB port Plug-In/Out is free

## 2D Barcode Miniature Scan ( CSE-6000 SDK )

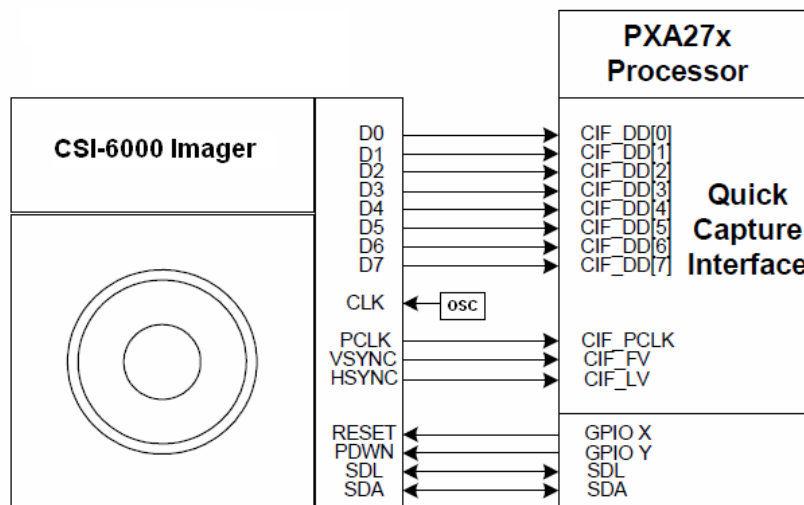
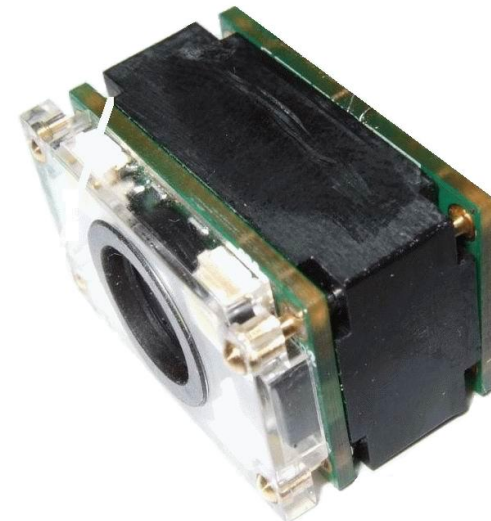
- ❖ CSE-6000SDK/RS232C : RS232C interface
- ❖ CSE-6000SDK/USB : Serial to USB bridge interface
- ❖ CSE-6000SDK/HID : HID keyboard interface



# 2D Barcode Miniature Imager (CSI-6000)

CSI-6000 is new small Imager for OEM systems & hardwares.  
Support to ARM based H/W and others. (ex: PDA Systems)

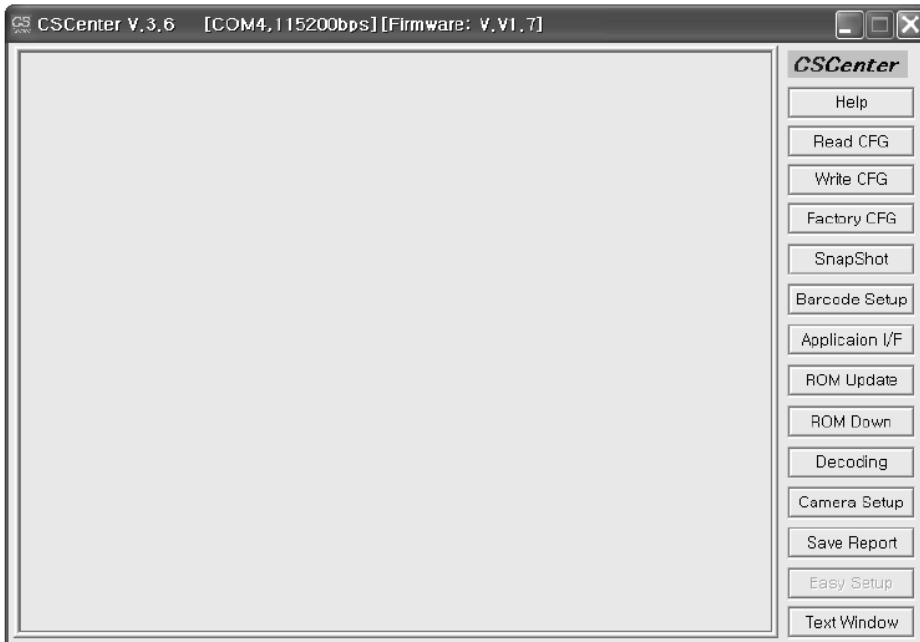
Standard SDK support to Intel PXA27X, Samsung S3C244x  
or other ARM Processors.



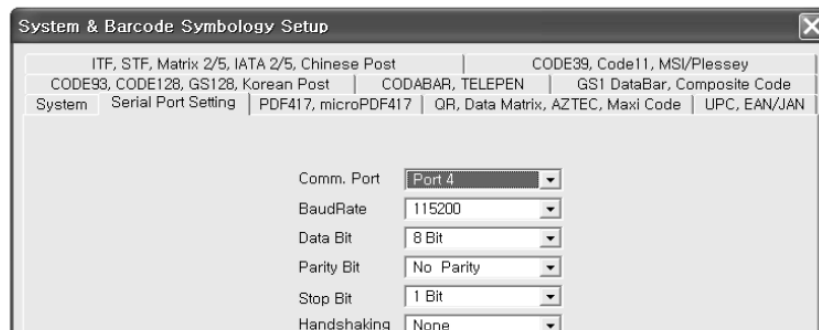
Example Block Diagram for illustration of a typical 8-bit master parallel connection between the PXA27x processor and an CSI-6000 imager. It is important to note that master mode refers to the case where the sensor module drives the line and frame synchronization signals. Slave mode is the case where the PXA27x processor drives the line and frame synchronization signals.

# Setup Program (Startup of CSCenter™)

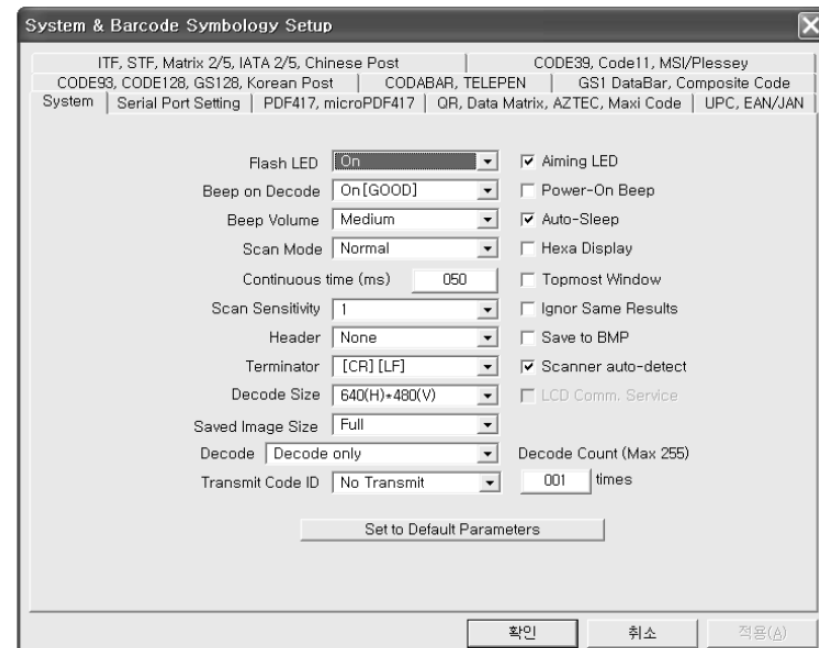
## Display of main window



## Serial Port Setting



## Barcode & System Setup



The flash downloading is complete and successful.

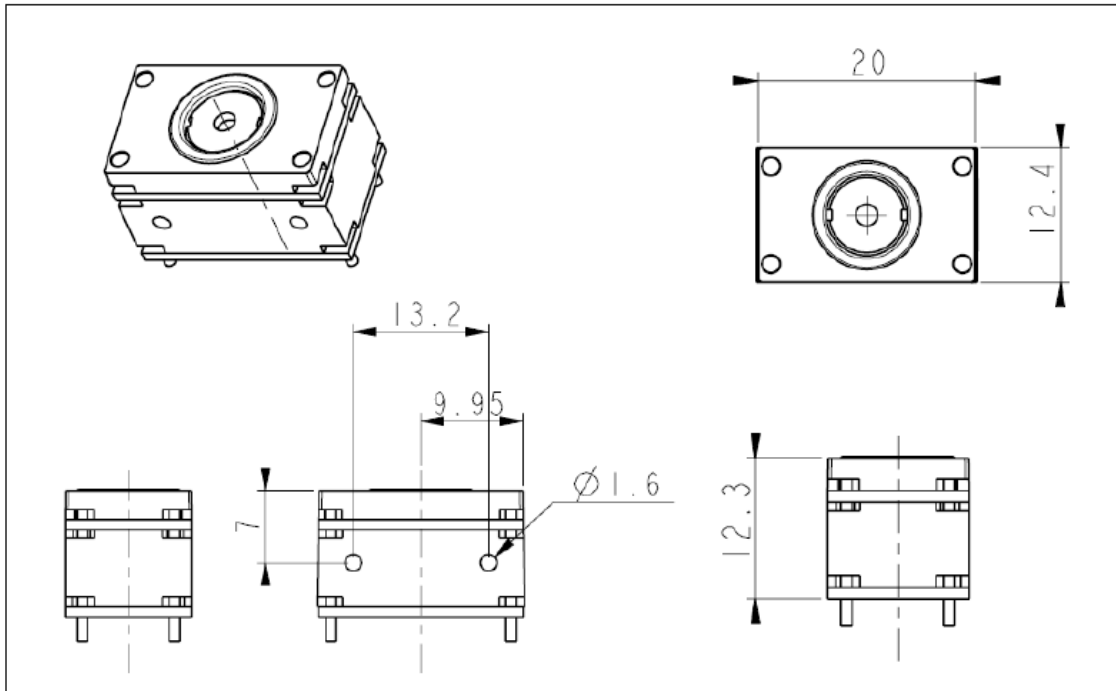
Please wait...

Scanner finished to default.

Recall & Saved scanner's CFG file.

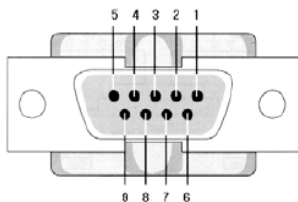
Recall & Saved scanner's CFG file.

## Engine & SDK Drawing



Interface cable for SDK  
CSE-6000™-RS232C

### RS232C Interface (DSUB 9 pin, Male)



Pin	Name	Description
2	RXD	Receive data
3	TXD	Transmit data
5	GND	Ground
7	RTS	Request to Send
8	CTS	Clear to Send
9	SG	Signal Ground

